

Altomed Limited, 2 Witney Way, Boldon Business Park, Tyne & Wear, England, NE35 9PE.

For further assistance or to place orders, please contact customer services on:  
Tel: (0) 191 519 0111 Fax: (0) 191 519 0283

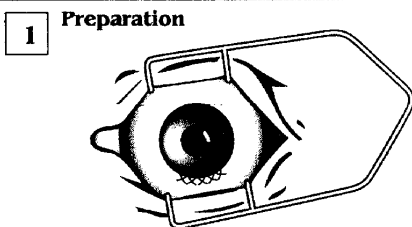
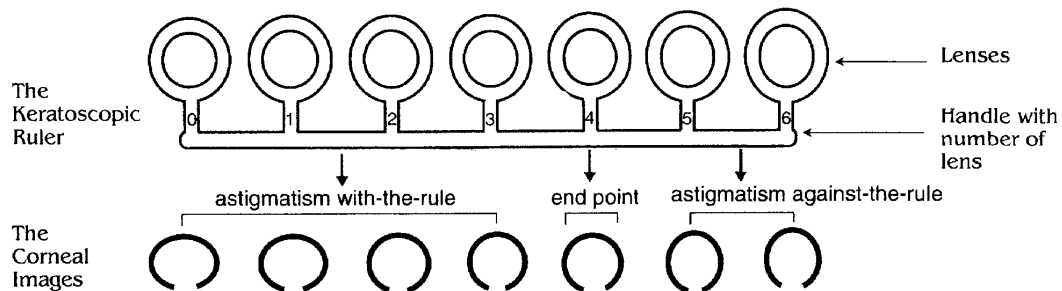
The Keratech Astigmatic Rule is a rack of elliptical Keratoscopic lenses corresponding to increasing magnitudes of astigmatism. The amount of corneal astigmatism (in dioptres) is determined by noting the lens that causes the reflection from the cornea to be circular.

## Sterilization

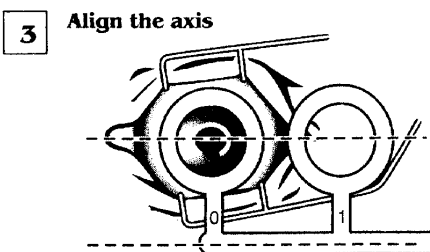
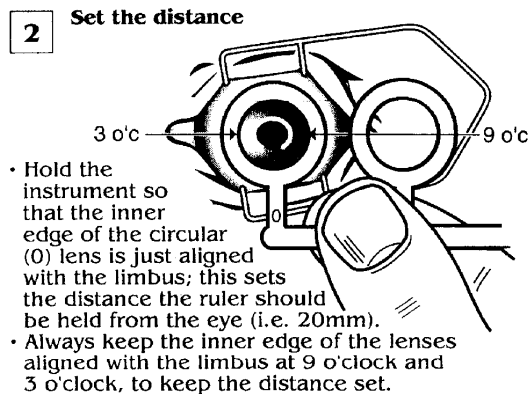
1. **Place the device flat in the autoclave.** If the device is not flat the shape may become distorted.
2. Autoclave on a standard 134°C (max 137°C) cycle with a 3 minute holding time.
3. Follow the guidelines in HTM2010, HTM2030 and HTM2031 where appropriate.

## Note:

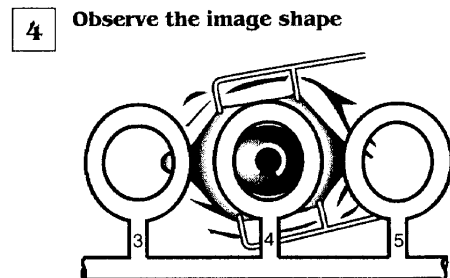
Although the plastic is heat stable and the device can be autoclaved many times, it will eventually start to become opaque and the shape may distort. It is recommended to replace the device once this starts to happen.



- Close the wound water tight.
- Re-inflate the anterior chamber with balanced salt solution to a normal physiological pressure.
- Release the superior rectus suture.
- A tight wound will give astigmatism with-the-rule.



- Again using the circular lens (0), align the handle of the instrument with the long axis of the corneal image.
- Be sure not to tilt the instrument as this changes the shape of the image and gives a false reading.
- With-the-rule astigmatism will have the long axis of the image at 180° (3 o'clock to 9 o'clock).



- Note the image produced by each lens in turn.
- The end point is when the image becomes most circular.
- Remember to keep distance set and axis aligned correctly.
- The magnitude of astigmatism in dioptres given by the lens number.